



FlowPoint

BlueCats FlowPoint facilitates unrestricted movement within predefined zones on site while accurately recording the time of attendance and direction of flow of all tagged personnel and assets.

This is accomplished by using tuned, directional antennas pointing towards and away from the zonal boundary.

As a person or asset crosses the threshold, it is picked up by the antennas on either side, registering an entry or exit event. This information is communicated to Loop, and the person or assets position is updated in real-time.



Features



IP67 RATED

Designed for harsh industrial environments or outdoor applications



UV, CHEMICAL RESISTANT



ETHERNET 1 X 10/100M, 1 X POE



TEMP RANGE -18°C TO +65°C



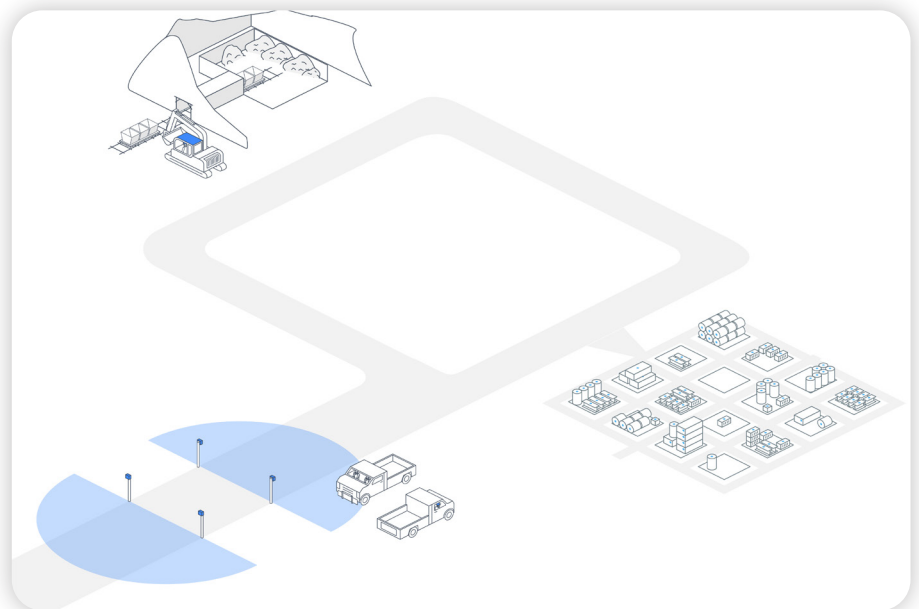
WIFI 802.11 B/G/N 2.4 GHZ



5V-24V INPUT RANGE

Solar, Battery & LTE options available

Solution Visualisation



Works Great With

- BC313
- BC2401
- BC2510
- BC2500



Specifications

CONSTRUCTION

Form Factor	BLE Gateway
Dimensions	220.8mm x 120.8mm x 62mm 7.1" x 4.7" x 2.44"
Power Options	Line or Solar
Power Draw	1A Max
Operating Temperature	-18°C to +65°C

RADIO

Bluetooth Specification	Bluetooth 4.2
Frequency	2.402GHz to 2.480GHz
Transmit Power	5 dBm to -23 dBm
Receiver Sensitivity	-97dBm
Antenna	PCB / External Whip / Directional antenna

BLUETOOTH

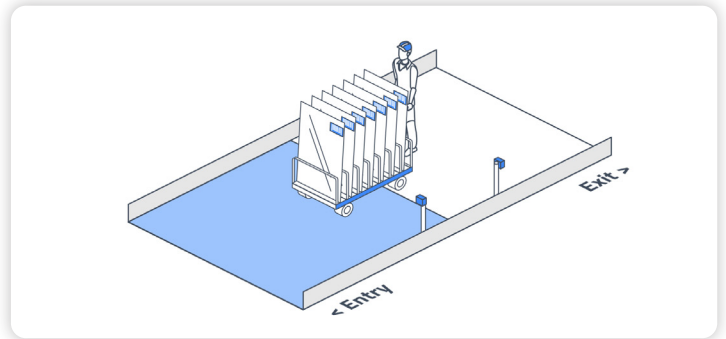
Proximity Detection, Line of Sight	Up to 400m
Normal Operation	3-25m

DEVICE

System-On-Chip	Atheros AR9331
CPU	400Mhz
Flash	16mb
RAM	64mb
Ethernet	2 x 10/100M, 1 POE
WiFi	802.11 b/g/n 2.4 GHz with PCB antenna
Max Transmit Power	18dBm
Bluetooth 4.2 (BLE)	BC011 (TI CC2640) - with external antenna
OS	OpenWrt CC 15.05
Protocols	UPD / MQTT / HTTP(S)

Variations

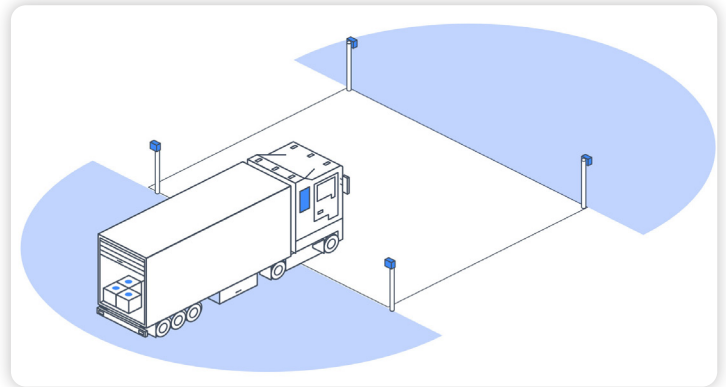
2 Antenna FlowPoint



Uses

- Personnel tracking
- Slow moving assets
- Narrow chokepoints

4 Antenna FlowPoint



Uses

- Vehicle tracking
- Fast moving assets
- Wide chokepoints